

HAPPY R-TYPE

LIFTING HEAVY
CARGO FOR
WORLDWIDE
TRANSPORT



BIGLIFT

**GIANT
MARINE**

**SAFE
SAILINGS**

HAPPY R-TYPE

HAPPY RIVER, HAPPY ROVER, HAPPY RANGER

HATCH OPENINGS AND ALLOWABLE LOADS

HATCH OPENINGS

weather deck	91.0 x 17.7 m
tween deck	87.5 x 17.6 m

ALLOWABLE LOADS

weather deck hatch covers	12.5 t/m ²
tween deck hatch covers	10.5 t/m ²
tank top	20.0 t/m ²

FLOOR SPACE

weather deck	2,450 m ²
tween deck	1,525 m ²
tank top	1,386 m ²

CRANES

2 x 400 mt SWL

COMBINABLE

800 mt

TROLLEY

25 mt SWL

PRINCIPAL DIMENSIONS

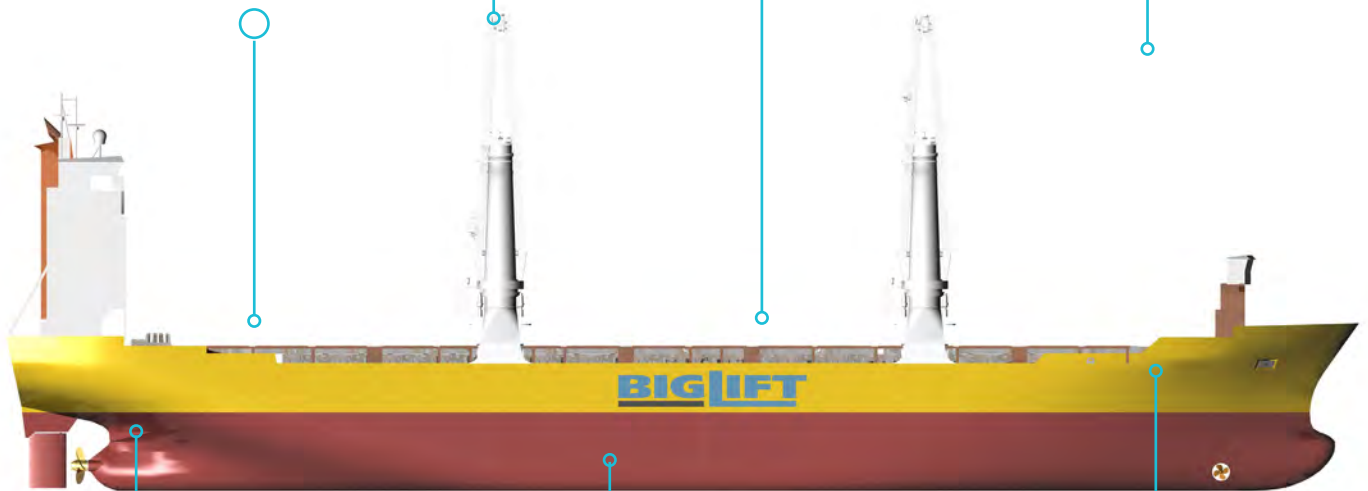
Length overall	138.00 m
Length p.p.	127.90 m
Breadth moulded	22.88 m
Breadth extreme	23.19 m
Summer draft	9.50 m

REGISTRATION

The Netherlands

CLASS

Lloyd's X100 A1 XLMC-UMS
LA LNC AA strengthened for
heavy cargoes Ice class
Finnish/Swedish 1A, Great
lakes fitted



MAIN ENGINE

Wärtsilä	8775 kW
Bowthruster	850 kW
Service speed	16.4 kn at draft 7.00 m

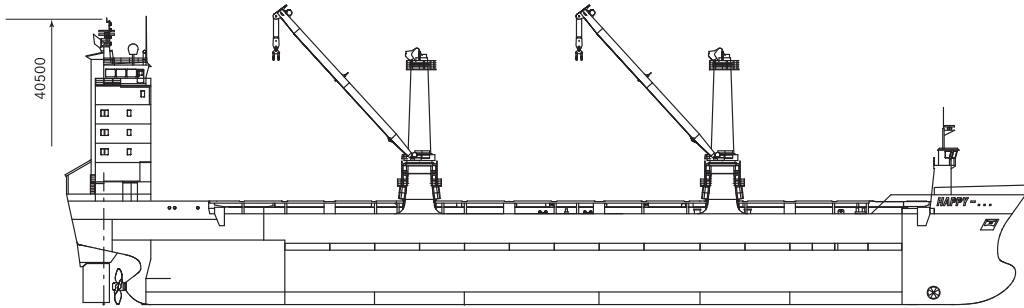
CAPACITY

Grain = bale	17,863 m ³
If tween deck installed	16,338 m ³

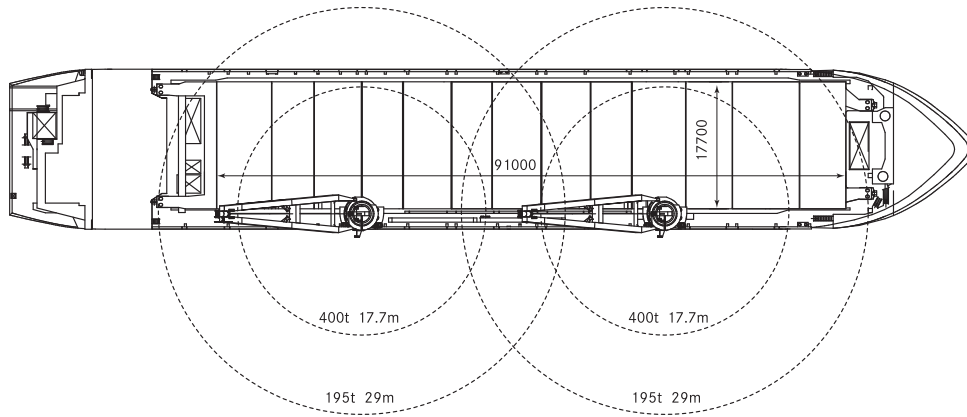
DEADWEIGHT

At Summer (sea water) draft
15,634 mton inc. tween deck
hatch covers, pillars

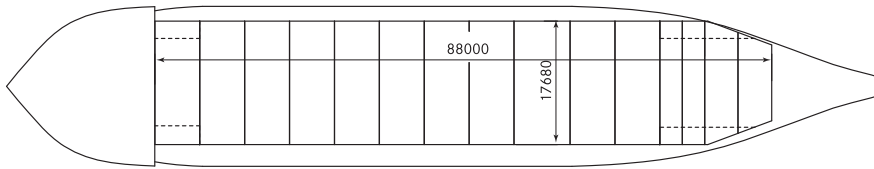
HAPPY R-TYPE



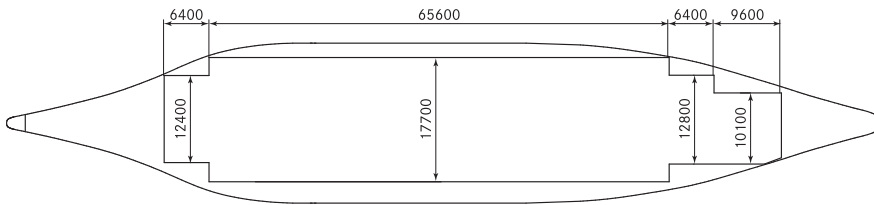
Side View



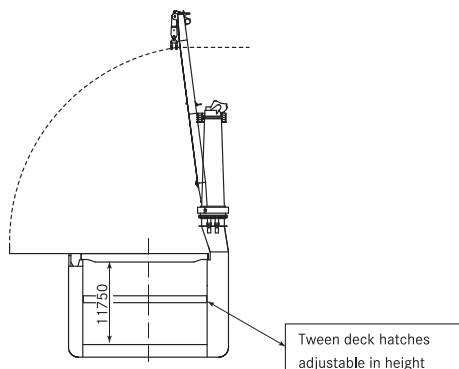
Weatherdeck



Tweendeck



Tanktop



Cross section

HAPPY R-TYPE

Class	LRS ✕100 A1, LMC-UMS, LA LNC AA, Ice class 1A (Finnish/Swedish), Great Lakes fitted Strengthened for heavy cargoes		
Principal Dimensions	Length overall	138.00	m
	Length p.p.	127.90	m
	Breadth moulded	22.88	m
	Breadth extreme	23.19	m
	Summer draft	9.50	m
Deadweight	Summer (sea water)	15,634	mton
Tonnage		International	Panama
	GT	10,990	-
	NT	5,041	9,255
Capacity	Grain = bale	17,863	m ³ if tween deck installed, 16,338 m ³
Floor space	Weather deck	2,450	m ²
	Tween deck	1,525	m ²
	Tank top	1,386	m ²
Hatch openings	Weather deck	91.0 x 17.7	m
	Tween deck	87.5 x 17.6	m
Heights	Heights adjustable in 13 steps of 50 cm		
	Minimum lower hold	3.42	m maximum 8.92 m
Allowable loads	Weather deck hatch covers	4.0	t/m ²
	with pillars	12.5	t/m ²
	Tween deck hatch cover	3.5	t/m ²
	with pillars	10.5	t/m ²
	Tank top	20.0	t/m ²
Cranes	Combinable	800	mt SWL
	Situated on starboard side	2 x 400	mt SWL
	Fitted with trolley	25.0	mt SWL
Main engine	Wärtsilä 9L46B	8,775	kW
	Bowthruster	850	kW
	Service speed	16.4	kN at draft 7.00 m
Container capacity	1,039 TEU		

HAPPY R-TYPE

Happy Ranger	Amsterdam	The Netherlands	1998
Happy River	Amsterdam	The Netherlands	1997
Happy rover	Amsterdam	The Netherlands	1997

These particulars are believed to be correct, but without guarantee, and they must not be used as basis for Charter Parties or contracts without Owners' explicit written authority.

BIGLIFT



Giant Marine - General Agent for BigLift Shipping BV
 13, Rue Séguier - 75006 Paris - France
 Tel: +33 1 39 63 37 37 - Email: info@giantmarine.com