

TRA-TYPE

LIFTING HEAVY
CARGO FOR
WORLDWIDE
TRANSPORT



GIANT
MARINE

BIG LIFT

TRA-TYPE

TRAMPER, TRACER, TRANSPORTER, TRAVELLER

HATCH OPENINGS AND ALLOWABLE LOADS

HATCH OPENINGS

weather deck	64.4 x 15.3 m
tween deck	64.4 x 15.3 m

ALLOWABLE LOADS

weather deck hatch covers	3.0 t/m ²
tween deck hatch covers	3.0 t/m ²
tank top	15.0 t/m ²

FLOOR SPACE

weather deck	1,330 m ²
tween deck	974 m ²
tank top	850 m ²

CRANES

2 x 275 mt SWL

COMBINABLE
500 mt

TROLLEY
6 mt SWL

PRINCIPAL DIMENSIONS

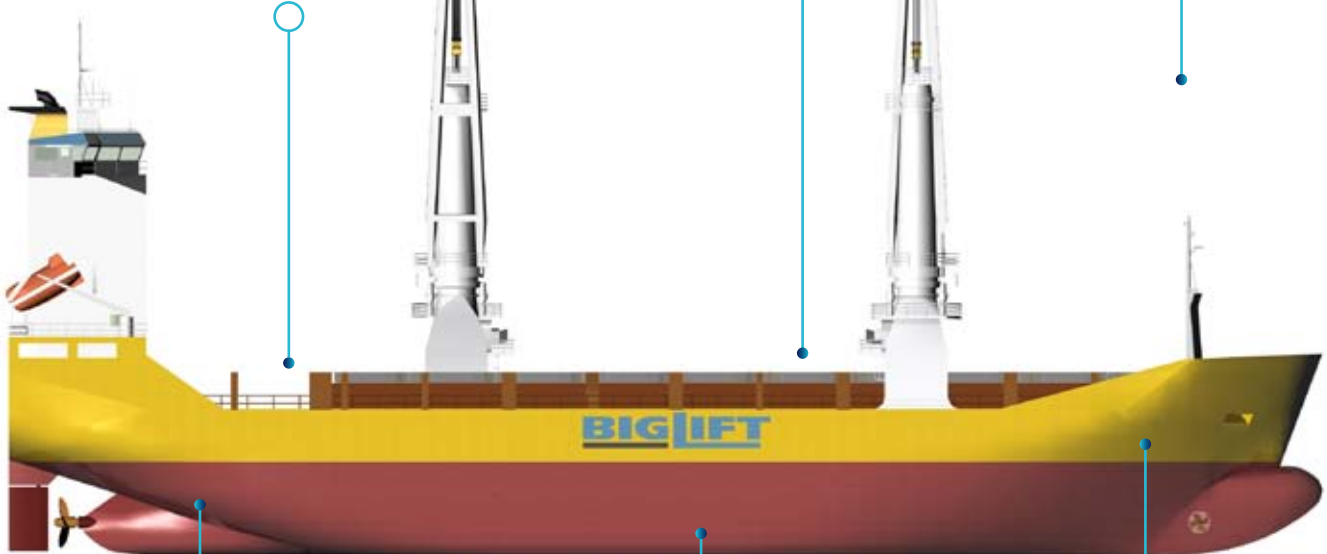
Length overall	100.50 m
Length p.p.	96.50 m
Breadth moulded	20.40 m
Summer draft	8.20 m

REGISTRATION

The Netherlands

CLASS

BV 1 3/3 E, Ice Class IC, strengthened for heavy cargoes E0, W1-0C, Grain, LCS (SIG), DG-P, DG-B, Great lakes fitted



MAIN ENGINE

Wärtsilä	7800 kW
Bowthruster	500 kW
Speed	16.0 kn

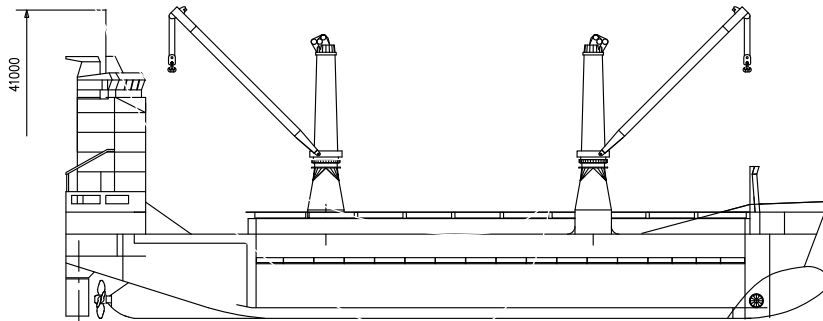
CAPACITY

Grain	10,530 m ³
Bale	9,720 m ³

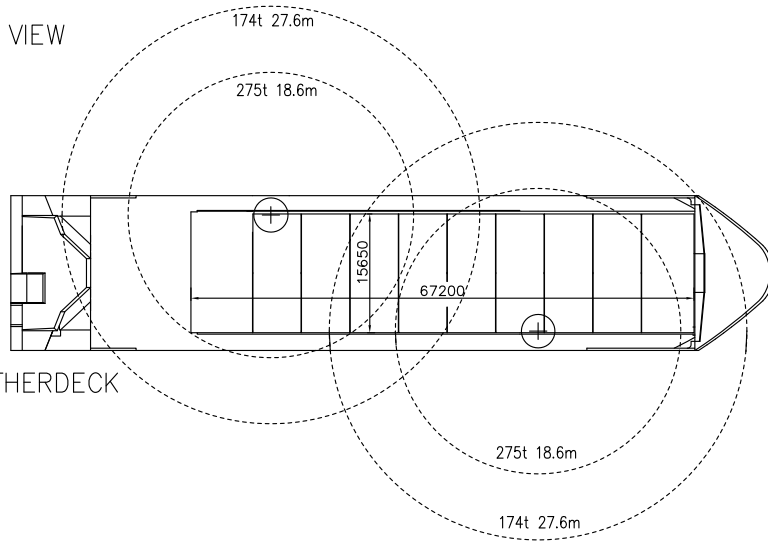
DEADWEIGHT

At Summer (Sea water) draft
8,600 mton inc. tween deck hatch covers, pillars

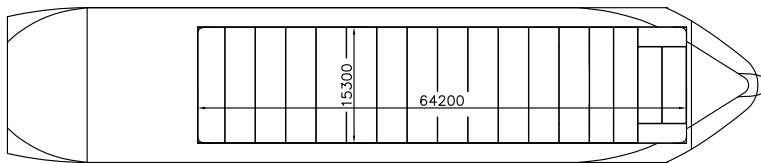
TRA-TYPE



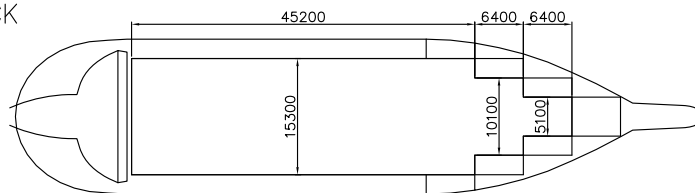
SIDE VIEW



WEATHERDECK

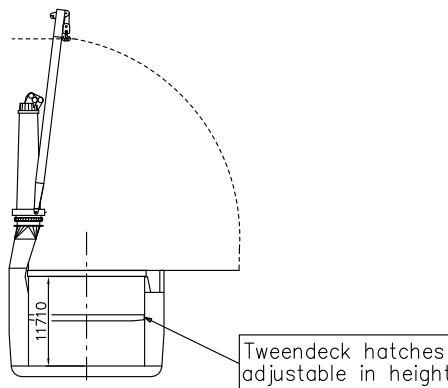


TWEENDECK



TANKTOP

CROSS SECTION



Vessel TC description - m.v. TRAMPER

General				
type of vessel	General cargo ship; container ship; Deep sea heavy cargo			
class	BV ✕HULL ✕MACH ✕AUT-UMS ✕SYS-NEQ-1, general cargo ship, container ship, unrestricted navigation, heavy cargo, (tanktop; 15 t/m2) MON-SHAFT GRABLOADING, Ice Class 1C, Great Lakes fitted			
built	1999			
flag	Dutch			
port of registry	Amsterdam.			
owner	Rederij Tramper, Amsterdam			
P&I club	The Standard			
official number	10363 Z A 2004			
IMO no.	9204697			
MMSI	245867000			
call sign	P H A A			
satellite number	Sat-C tlx	424586711		
	phone	324586720 - 1		
	fax	324586722		
	e-mail	master.tramper@amosconnect.com		
Tonnage		<u>International</u>	<u>Panama</u>	<u>Suez</u>
GT		6,714	23,362 cbm	6,656.4
NT		2,888	pc/ums 6,108	4,861.6
Measurements				
Length overall		100.5	m	
Length between perpendiculars		96.51	m	
Breadth moulded		20.42	m	
Depth moulded		11.10	m	
Width overall (inc. fenders)		20.748	m	
Draft max. Summer (salt)		8.205	m	
Deadweight Summer (salt)		abt 8,600.0	mton	
Airdraft over keel		41.82	m (cranes down)	
Immersion (salt) mton / cm		at 5 m draft:	15.83 m	
		at 6 m draft:	16.85 m	
		at 7 m draft:	17.70 m	
		at 8 m draft:	18.53 m	
Floor space	weather deck	1,025.0	m2 (on hatch covers only)	
	tween deck	952.0	m2 (exc. water chests)	
	lower hold	786.0	m2 (exc. water chests)	



cargo capacity:	abt. 6800mton basis 98% bunkers + all ballast tanks dry!												
Hatches 1 hold hatch opening to tweendeck hatch opening to lower hold hold heights total hold height Deck strength upper deck hatch covers tween deck hatch covers tank top	10 upperdeck hatch covers 17 tweendeck hatch covers pontoon / lift away 64.40 H 15.25 64.40 H 15.25 (partly 10.07 / partly 5.10) most t.d. hatch covers can be positioned in 2 different heights <table style="margin-left: auto; margin-right: auto;"> <tr> <td></td> <td style="text-align: center;">lower hold</td> <td style="text-align: center;">tween deck</td> </tr> <tr> <td></td> <td style="text-align: center;">height</td> <td style="text-align: center;">height</td> </tr> <tr> <td>low position</td> <td style="text-align: center;">5.93 m</td> <td style="text-align: center;">5.10 m</td> </tr> <tr> <td>high position</td> <td style="text-align: center;">8.03 m</td> <td style="text-align: center;">3.00 m</td> </tr> </table> 11.75 m (t/decks not installed) 3.0 mton/m2 3.0 mton/m2 15.0 mton/m2 (less on water chest)		lower hold	tween deck		height	height	low position	5.93 m	5.10 m	high position	8.03 m	3.00 m
	lower hold	tween deck											
	height	height											
low position	5.93 m	5.10 m											
high position	8.03 m	3.00 m											
Cargo facilities Cranes position each crane (from centre line crane) (basis 0 degrees list) cranes working in tandem: both cranes are equipped with an auxiliary hoist	forward crane on starboard, aft crane on port side 275 mton SWL at 5.44 - 18.62 m radius decreasing to resp. 250 mton SWL upto 20.59 m radius 200 mton SWL upto 25.15 m radius 174 mton SWL upto 27.44 m radius about 500 mt lifting capacity, subject to cargo details. 6 mton SWL												
Lifting beams capacity / own length	1 H 500.0 mton SWL / 15.0 m 1 H 275.0 mton SWL / 12.0 m												
Mechanical details mechanical ventilation CO ₂	30 air changes per hour (empty hold) yes												



power supply reefer plugs	440 volts, 60 Hz upto 900 kW (24 sockets in aft bulkhead PS/SB)		
Tank capacities ballast water HFO, inc. service, settling, overflow, drain tanks MGO, inc. service, settling, storage tanks Lub oil, inc. thermal oil, main & aux. Fresh water Misc. tanks (sewage, sludge, waste oil, etc.)	<p style="text-align: right;">2,879.40 cbm*</p> <p style="text-align: right;">900.30 cbm</p> <p style="text-align: right;">113.60 cbm</p> <p style="text-align: right;">76.90 cbm</p> <p style="text-align: right;">229.60 cbm</p> <p style="text-align: right;">63.20 cbm</p> <p>* aft peak port side, presently in use as freshwater tank. May also be used as ballast tank, adding 170.2 cbm to ballast capacity.</p>		
Speed/Consumption Speed through water with fuel consumption (inc. shaft generators) basis HFO 380 cst RMG 35; wind not exceeding 2 beaufort; calm smooth sea without current, deep water:			
Speed/Fuel consumption in mts (even keel, draft 7.00 m)	<p>abt. 14.5 knots at abt. 20 ton/day</p> <p>abt. 16.0 knots at abt. 28 ton/day</p>		
In port:	<p>abt. 2.5 ton MGO-DMA per day, cargo gear working</p> <p>abt. 1.0 ton MGO-DMA per day, cargo gear idle</p>		
Engine type bow thruster capacity ballast pumps, capacity	<p>Wärtsilä Type 8L 46B</p> <p>7800 kW, 500 rpm</p> <p>500 kW</p> <p>2 H 250 m³ per hour</p>		
Cargo space grain bale	<p style="text-align: right;">10,530.0 cbm (tweendeck not installed)</p> <p style="text-align: right;">9,720 cbm (tweendecks installed)</p>		
	TEU	FEU	
gearless container capacity deck	176	43	
(TEU: basis 10t/teu) hold	195	82	+ 8 TEUs à 20 mton
(FEU: basis 20t/teu)	<u>371</u>	<u>125</u>	
stackloads deck	60	80	mtons
hatches	50	65	mtons
lower hold	100	128	mtons



Remarks: Vessel is fully equipped Vessel is partly self-sustained.	heights upto 8'6"; in holds 9'6"
--	----------------------------------

All details are approximate and without guarantee. They must not be used as basis for charter parties or contracts without owner's explicit written authority.

GIANT MARINE, General Agents for BigLift Shipping B.V

To contact us, click on the "CONTACT US" button available on each page of this website and fill up the form.