

# HAPPY R-TYPE

LIFTING HEAVY  
CARGO FOR  
WORLDWIDE  
TRANSPORT



**GIANT**  
MARINE

**BIGLIFT**

# HAPPY R-TYPE

HAPPY RIVER, HAPPY ROVER, HAPPY RANGER, ENCHANTER

## HATCH OPENINGS AND ALLOWABLE LOADS

### HATCH OPENINGS

weather deck	91.0 x 17.7 m
tween deck	87.5 x 17.6 m

### ALLOWABLE LOADS

weather deck hatch covers	12.5 t/m <sup>2</sup>
tween deck hatch covers	10.5 t/m <sup>2</sup>
tank top	20.0 t/m <sup>2</sup>

### FLOOR SPACE

weather deck	2,450 m <sup>2</sup>
tween deck	1,525 m <sup>2</sup>
tank top	1,386 m <sup>2</sup>

## CRANES

2 x 400 mt SWL

**COMBINABLE**  
800 mt

**TROLLEY**  
25 mt SWL

## PRINCIPAL DIMENSIONS

Length overall	138.00 m
Length p.p.	127.90 m
Breadth moulded	22.88 m
Summer draft	9.50 m

## REGISTRATION

The Netherlands  
m.v. Enchanter: Panama

## CLASS

Lloyd's X100 A1 XLMC-UMS  
LA LNC AA strengthened for heavy cargoes Ice class Finnish/Swedish 1A, Great lakes fitted



## MAIN ENGINE

Wärtsilä	8775 kW
Bowthruster	850 kW
Service speed	16.4 kn at draft 7.00 m

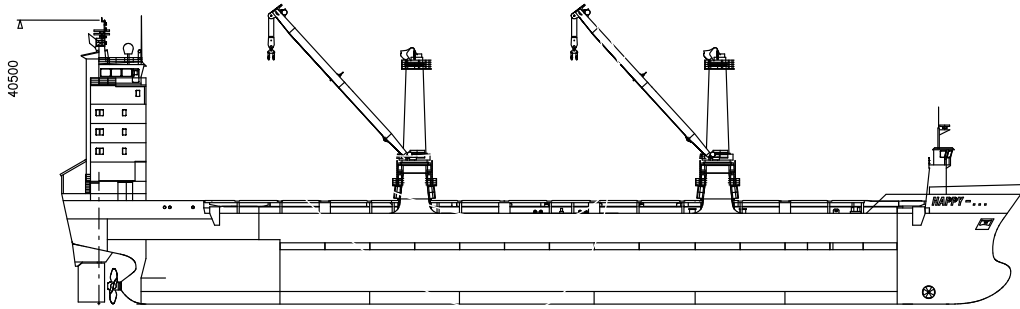
## CAPACITY

Grain = bale	17,863 m <sup>3</sup>
If tween deck installed	16,338 m <sup>3</sup>

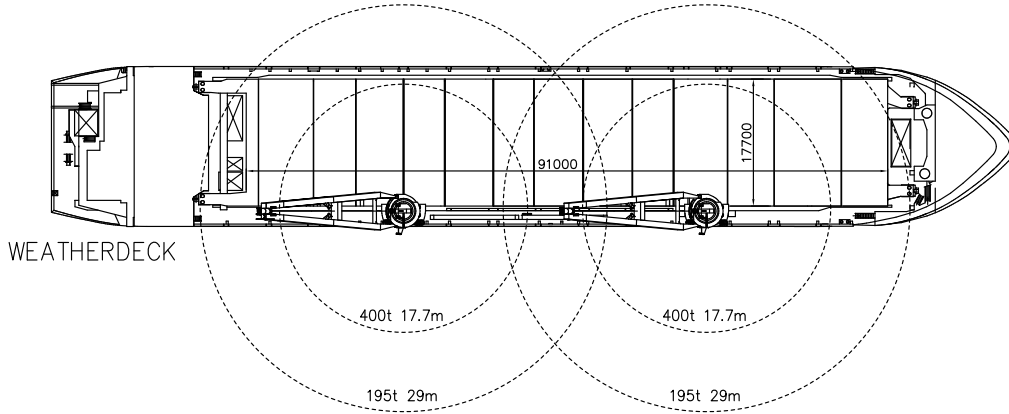
## DEADWEIGHT

At Summer (sea water) draft  
15,634 mton inc. tween deck hatch covers, pillars

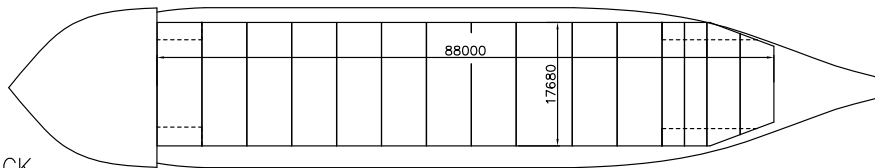
# HAPPY R-TYPE



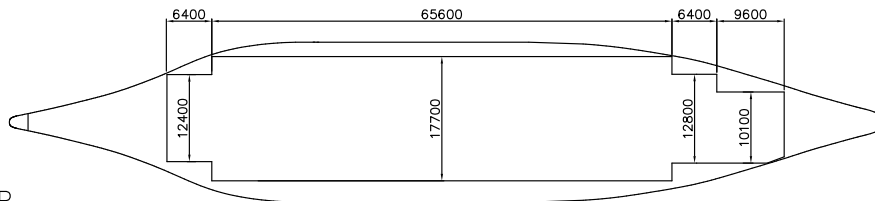
SIDE VIEW



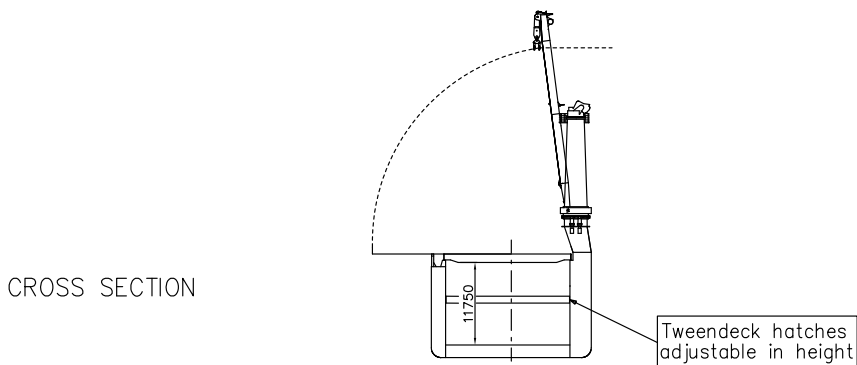
WEATHERDECK



TWEENDECK



TANKTOP



CROSS SECTION



## Vessel TC description - m.v. HAPPY ROVER

<b>General</b>				
Type of vessel	General Cargo Heavy Lift vessel			
Class	Lloyd's 100A1, CG, *1WS, Ice Class 1A PCWBT (Swedisch/Finnish), <del>X</del> LMC, UMS, NAV1, strengthened for heavy cargoes, suitable for timber deck cargoes and container in hold and on deck.			
Built	1997			
Flag	Netherlands			
Port of registry	Amsterdam			
Owner	Rederij Happy Rover, Amsterdam			
P&I club	Standard Steamship Owners' P&I, Bermuda			
Official number	19045 ZR 1997			
IMO no.	9139309			
MMSI	245394000			
Call sign	P C B Z			
Satelite number	telex	32453916		
	phone	+870 3245 39410 / 2		
	fax	+870 3245 39415		
	mobile	+31 6 5115 2977		
	e-mail	pcbz@globeemail.com		
Inmarsat "C"	telex 1	424539410		
	telex 2	424539420		
<b>Tonnage</b>		<u>International</u>	<u>Panama</u>	<u>Suez</u>
GT		10,990	37,698.97 m3	10,744.19 t
NT		5,041	9,255 t	8,901.32 t
<b>Measurements</b>				
Length overall		138.04	m	
Length between perpendiculars		127.94	m	
Breadth moulded		22.80	m	
Depth moulded		12.95	m	
Width overall (inc. crane platforms)		23.05	m (inc. 30cm seaway fenders)	
Draft Summer (salt)		9.50	m	
Deadweight Summer (salt)		15,593	mton	
Airdraft over keel		40.50	m (cranes down)	
Immersion (average)		26.50	mton / cm	
Floor space	weather deck	2,450	m <sup>2</sup>	
	tween deck	1,525	m <sup>2</sup>	
	lower hold	1,386	m <sup>2</sup>	



<p><b>Hatches</b> 1 hold, 1 hatch</p> <p>hatch opening to tweendeck hatch opening to lower hold</p> <p>hold heights lower hold heights tween deck heights</p> <p>some tween deck pontoons have limitations on height positions.</p> <p>total hold height</p> <p>Deck strength            weather deck            4.0 mton/m<sup>2</sup>    partly with stanchions            12.5 mton/m<sup>2</sup>    tween deck                            3.5 mton/m<sup>2</sup>    partly with stanchions            10.5 mton/m<sup>2</sup>    tank top                                20.0 mton/m<sup>2</sup></p>	<p>partly folding forward/aft; partly lift away pontoon / rolling type.</p> <p>91 x 17.68 m 88 x 17.68 m</p> <p>adjustable in steps of 50 cm; can be positioned in 13 different heights minimum height in lower hold: 3.425 m maximum height in lower hold: 8.925 m</p> <p>11.75 m</p>
<p><b>Cargo facilities</b> <b>Cranes</b> position frame 116  frame 62</p> <p>both cranes are equipped with a trolley</p>	<p>Starboard side</p> <p>400 mton SWL at 18.00 m or 195 mton SWL at 29.00 m 400 mton SWL at 18.00 m or 195 mton SWL at 29.00 m</p> <p>37.5 mton SWL</p>
<p><b>Lifting beams</b> capacity / own weight</p>	<p>1 x 800.0 mton SWL / 18.0 mton 1 x 400.0 mton SWL / 14.0 mton</p>
<p><b>Mechanical details</b> mechanical ventilation CO<sub>2</sub> power supply reefer plugs</p>	<p>15 air changes per hour yes 440 volts, 60 Hz up to 800 kW</p>
<p><b>Tank capacities</b> ballast fresh water HFO MGO Lub oil</p>	<p>5,995.00 cbm 285.00 cbm 1,257.00 cbm 181.00 cbm 48.00 cbm</p>



