

# TRA-TYPE

LIFTING HEAVY  
CARGO FOR  
WORLDWIDE  
TRANSPORT



**GIANT**  
MARINE

**BIG LIFT**

# TRA-TYPE

TRAMPER, TRACER, TRANSPORTER, TRAVELLER

## HATCH OPENINGS AND ALLOWABLE LOADS

### HATCH OPENINGS

weather deck	64.4 x 15.3 m
tween deck	64.4 x 15.3 m

### ALLOWABLE LOADS

weather deck hatch covers	3.0 t/m <sup>2</sup>
tween deck hatch covers	3.0 t/m <sup>2</sup>
tank top	15.0 t/m <sup>2</sup>

### FLOOR SPACE

weather deck	1,330 m <sup>2</sup>
tween deck	974 m <sup>2</sup>
tank top	850 m <sup>2</sup>

## CRANES

2 x 275 mt SWL

**COMBINABLE**  
500 mt

**TROLLEY**  
6 mt SWL

## PRINCIPAL DIMENSIONS

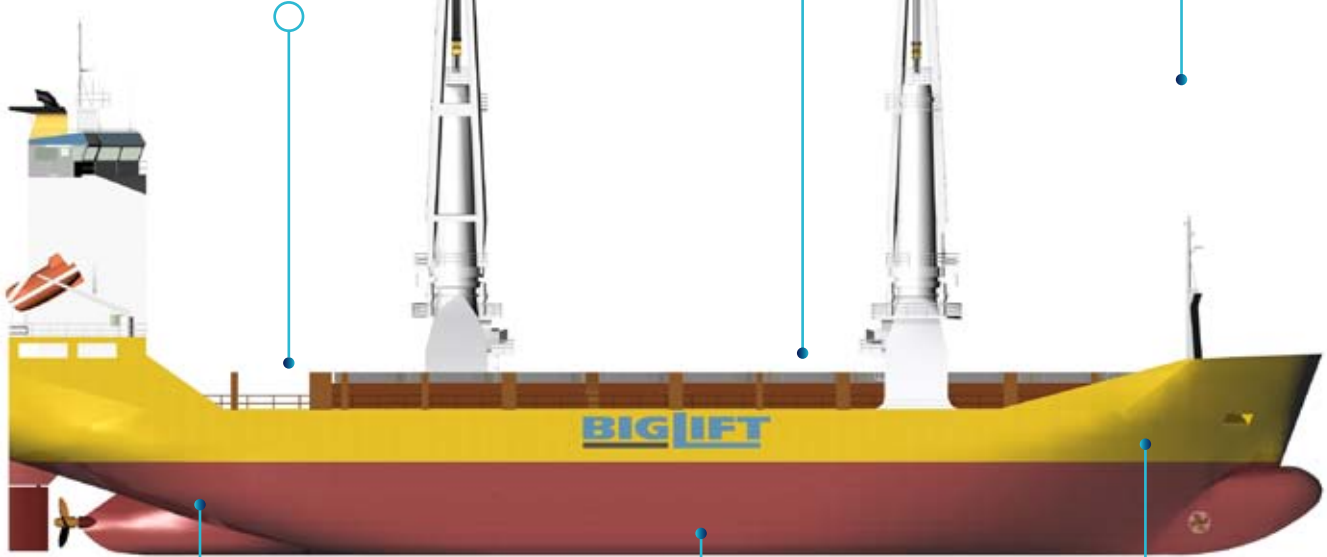
Length overall	100.50 m
Length p.p.	96.50 m
Breadth moulded	20.40 m
Summer draft	8.20 m

## REGISTRATION

The Netherlands

## CLASS

BV 1 3/3 E, Ice Class 1C, strengthened for heavy cargoes E0, W1-0C, Grain, LCS (SIG), DG-P, DG-B, Great lakes fitted



## MAIN ENGINE

Wärtsilä	7800 kW
Bowthruster	500 kW
Speed	16.0 kn

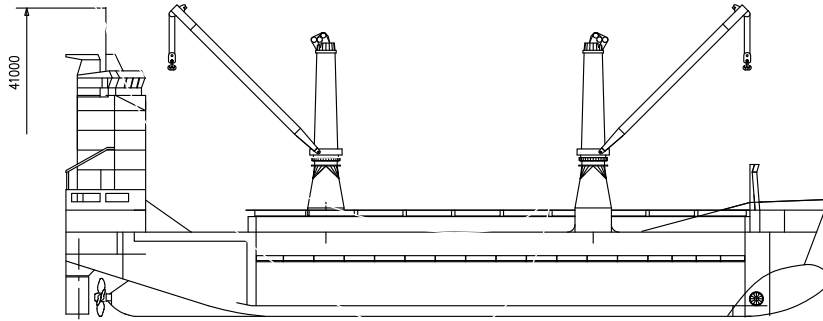
## CAPACITY

Grain	10,530 m <sup>3</sup>
Bale	9,720 m <sup>3</sup>

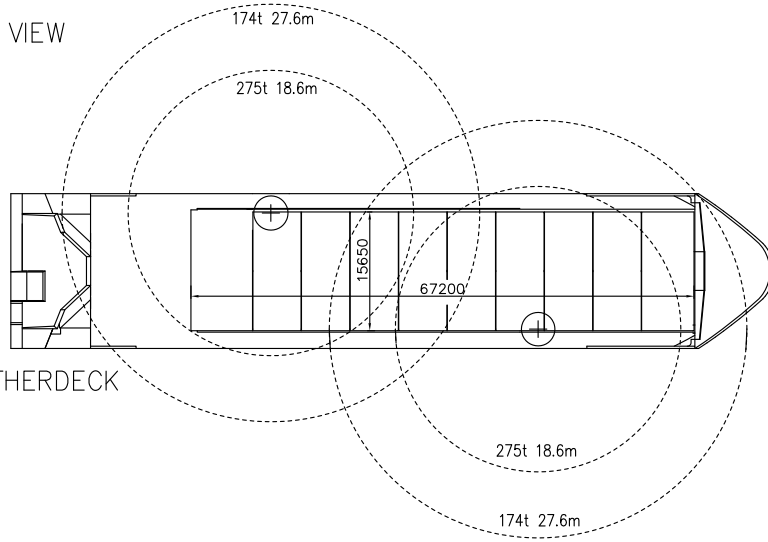
## DEADWEIGHT

At Summer (Sea water) draft  
8,600 mton inc. tween deck  
hatch covers, pillars

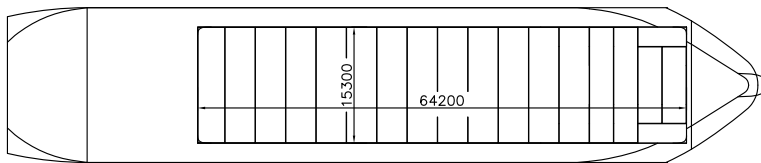
# TRA-TYPE



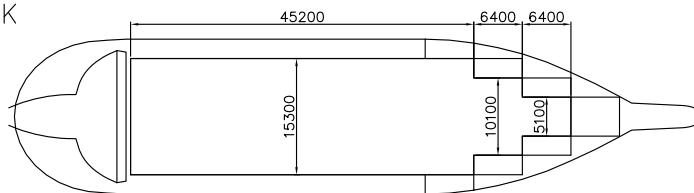
SIDE VIEW



WEATHERDECK

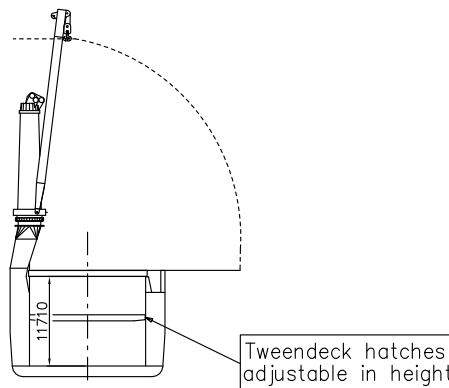


TWEENDECK



TANKTOP

CROSS SECTION



Vessel TC description - m.v. TRACER

<b>General</b>				
type of vessel	General cargo ship; container ship; Deep sea heavy cargo			
class	BV <del>HULL</del> <del>MACH</del> <del>AUT-UMS</del> <del>SYS-NEQ-1</del> , general cargo ship, container ship, unrestricted navigation, heavy cargo (15 t/m2 on tanktop), MON-SHAFT, grabloading, Ice Class 1C, Great Lakes fitted			
built	1999			
flag	Dutch			
port of registry	Amsterdam			
owner	C.V. Scheepvaartonderneming Tracer, Amsterdam			
P&I club	The Standard			
official number	10364 Z A 2004			
IMO no.	9204702			
MMSI	245949000			
call sign	P H A C			
satellite number	telex	324594928		
	Sat-C tlx	424594910		
	phone	+870 3245 94920 / 1 / 2		
	fax	+870 3245 94923		
	mobile	+31 6 5114 8348		
	e-mail	<a href="mailto:phac@globeemail.com">phac@globeemail.com</a>		
	mini V.sat	+31 20 890 5490		
<b>Tonnage</b>	<u>International</u>	<u>Panama</u>	<u>Suez</u>	
GT	6,714	23,362 cbm	6,656.4	
NT	2,897	pc/ums 6,122	4,861.6	
<b>Measurements</b>				
Length overall	100.5 m			
Length between perpendiculars	96.51 m			
Breadth moulded	20.40 m			
Depth moulded	11.10 m			
Width overall (inc. fenders)	20.70 m			
Draft max. Summer (salt)	8.22 m			
Deadweight Summer (salt)	abt 8,600.0 mton			
Airdraft over keel	41.80 m			
Immersion (salt) mton / cm	at 5 m draft: 15.83 m			
	at 6 m draft: 16.85 m			

<p>Floor space weather deck tween deck lower hold cargo capacity:</p>	<p>at 7 m draft: 17.70 m at 8 m draft: 18.53 m 1,025.0 m<sup>2</sup> (on hatch covers only) 952.0 m<sup>2</sup> (exc. water chests) 786.0 m<sup>2</sup> (exc. water chests abt. 6800 mton basis 98% bunkers + all ballast tanks dry!</p>
<p><b>Hatches</b> 1 hold  hatch opening to tweendeck hatch opening to lower hold  hold heights  total hold height  Deck strength upper deck hatch covers tween deck hatch covers tank top</p>	<p>10 upperdeck hatch covers 17 tweendeck hatch covers pontoon / lift away  64.40 x 15.25 64.40 x 15.25 (partly 10.07/partly 5.10)  most t.d. hatch covers can be positioned in 2 different heights lower hold height                      tween deck height low position 5.93 m                      5.10 m high position 8.03 m                      3.00 m  11.75 m (t/decks not installed)  3.0 mton/m<sup>2</sup> 3.0 mton/m<sup>2</sup> 15.0 mton/m<sup>2</sup> (less on water chest)</p>
<p><b>Cargo facilities</b> <b>Cranes</b> position  each crane (from centre line crane) (basis 0 degrees list)  cranes working in tandem:  both cranes are equipped with an auxiliary hoist</p>	<p>forward crane on starboard, aft crane on port side  275 mton SWL at 5.44 - 18.62 m radius decreasing to resp. 250 mton SWL upto 20.59 m radius 200 mton SWL upto 25.15 m radius 174 mton SWL upto 27.44 m radius about 500 mt lifting capacity, subject to cargo details.  6 mton SWL</p>

<b>Lifting beams</b> capacity / own length	1 x 500.0 mton SWL / 15.0 m 1 x 275.0 mton SWL / 12.0 m
<b>Mechanical details</b> mechanical ventilation CO <sub>2</sub> power supply reefer plugs	30 air changes per hour (empty hold) yes 440 volts, 60 Hz upto 900 kW (24 sockets in aft bulkhead PS/SB)
<b>Tank capacities</b> ballast water HFO, inc. service, settling, overflow, drain tanks MGO, inc. service, settling, storage tanks Lub oil, inc. thermal oil, main & aux. Fresh water Misc. tanks (sewage, sludge, waste oil, etc.)	2,879.40 cbm* 900.30 cbm 113.60 cbm 76.90 cbm 229.60 cbm 63.20 cbm  * aft peak port side, presently in use as freshwater tank. May also be used as ballast tank, adding 170.2 cbm to ballast capacity.
<b>Speed/Consumption</b> Speed through water with fuel consumption (inc. shaft generators) basis HFO 380 cst RMG 35; wind not exceeding 2 beaufort; calm smooth sea without current, deep water:	
Speed/Fuel consumption in mts (even keel, draft 7.00 m)  In port:	abt. 14.5 knots at abt. 20 ton/day abt. 16.0 knots at abt. 28 ton/day  abt. 2.5 ton MGO-DMA per day, cargo gear working abt. 1.0 ton MGO-DMA per day, cargo gear idle
<b>Engine</b> type  bow thruster capacity ballast pumps, capacity	Wärtsilä Type 8L 46B 7800 kW, 500 rpm 500 kW 2 at 250 m <sup>3</sup> per hour
<b>Cargo space</b> grain bale	10,530.0 cbm (tweendeck not installed) 9,720 cbm (tweendecks installed)

		TEU	FEU	
gearless container capacity	deck	176	43	
	(TEU: basis 10t/teu)	<u>195</u>	<u>82</u>	+ 8 TEUs à 20 mton
	(FEU: basis 20t/teu)	<u>371</u>	<u>125</u>	
stackloads	deck	60	80	mtons
	hatches	50	65	mtons
	lower hold	100	128	mtons
Remarks:		heights upto 8'6"; in holds 9'6"		
Vessel is fully equipped				
Vessel is partly self-sustained.				

All details are approximate and without guarantee. They must not be used as basis for charter parties or contracts without owner's explicit written authority.

**GIANT MARINE**

General Agents for BigLift Shipping B.V  
3 rue du Maréchal de Lattre de Tassigny  
78150 LE CHESNAY  
Tel: 01.39.63.37.37  
Fax: 01.39.55.81.49  
Email: [info@giantmarine.com](mailto:info@giantmarine.com)

Mic: **M. Gilles THOMAS**  
Email: [thomas@giantmarine.com](mailto:thomas@giantmarine.com)

Mic: **M. Paul-Henri TANON**  
Email: [tanon@giantmarine.com](mailto:tanon@giantmarine.com)