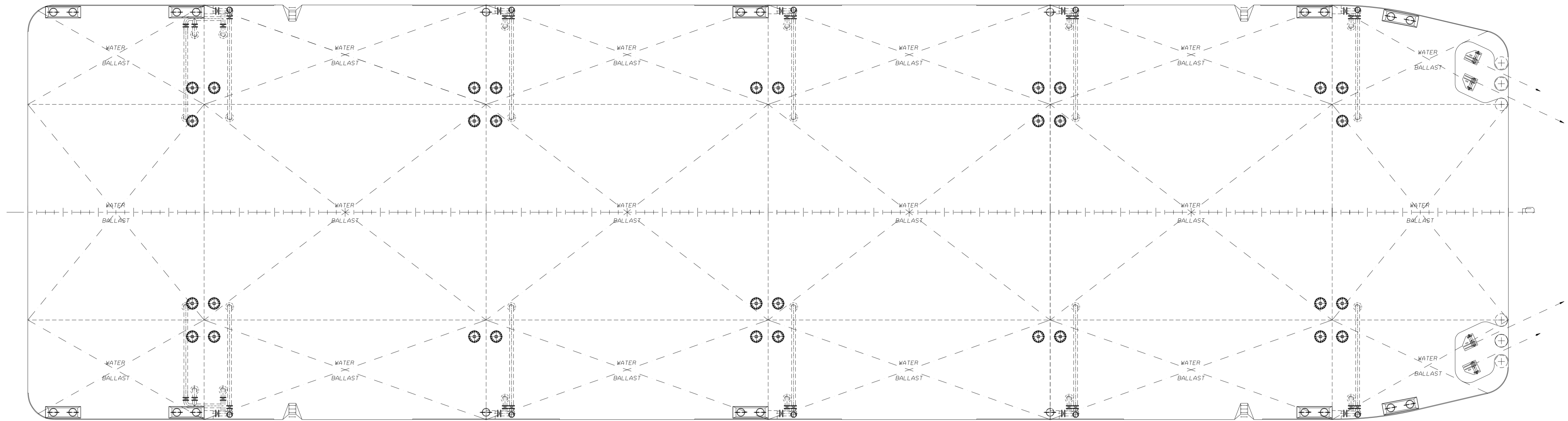
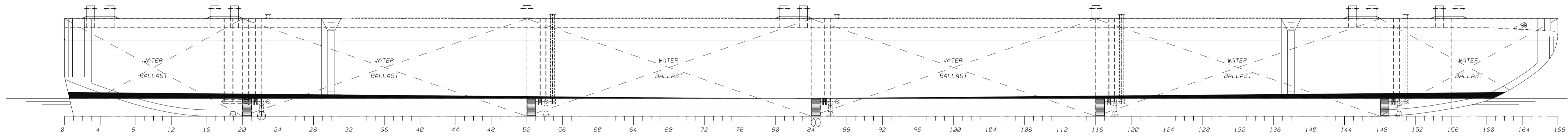


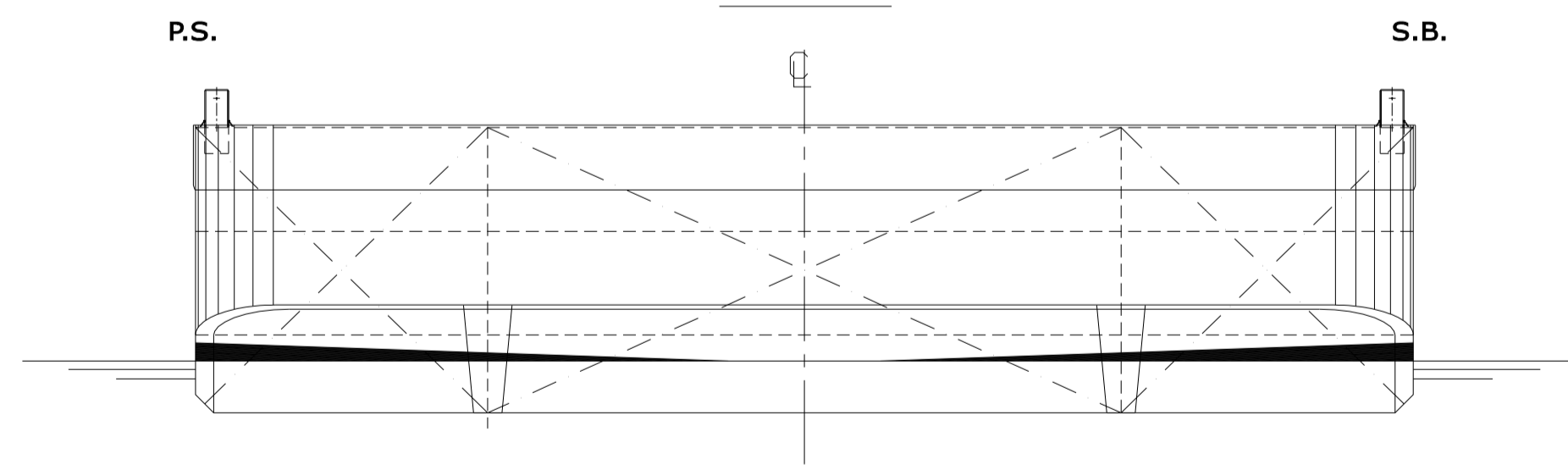
VIEW ON DECK



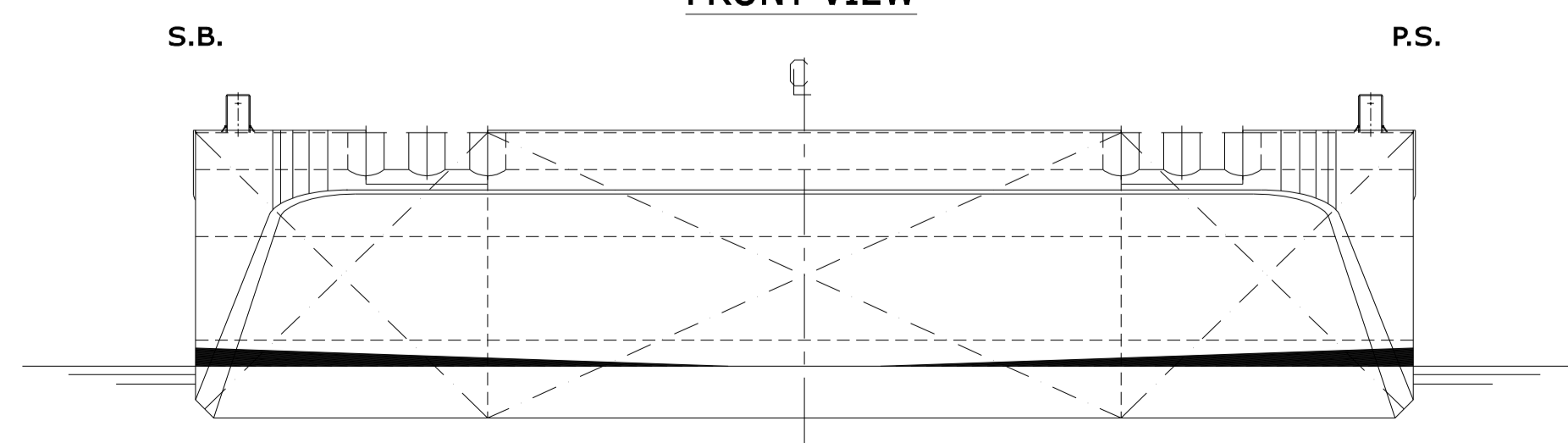
SIDE VIEW



AFT VIEW



FRONT VIEW



PRINCIPAL DIMENSIONS:

LENGTH O.A. 84.0 m  
 BREADTH MO. 23.5 m  
 DEPTH 5.5 m  
 DRAUGHT 1.0 m

Lloyds register \* 100 AN PONTOON

**Marine Engineering Star bv**  
 Shipbuilding Projects  
 Bermweg 95  
 2907 LA Capelle a/d IJssel  
 tel: +31 (0) 10 458 67 96  
 fax: +31 (0) 10 458 62 45

REMARKS:

- FRAME SPACING 500 mm
- STRUCTURAL MEMBER DIMENSIONS ARE INDICATIVE
- FINAL STRUCTURAL MEMBER DIMENSIONS TO BE DETERMINED BY YARD IN ACCORDANCE WITH CLASS

Rev	Date	Drawn	Description	Chkd	P.Appr	E.Appr	Client	Date
D	15-Jan-07	KS	SUCTION TO AFTER-CENTRE					
C	27-dec-06	KS	FOR CLASS APPROVAL					
B2	08-Nov-06	Gve	FOR CLIENT'S REVIEW, UPDATED	HvH	PKr	PKo	MMe	
B1	30-Okt-06	Gve	FOR CLIENT'S REVIEW, UPDATED	HvH	MdJ	PKo	MMe	
B	19-Okt-06	Gve	FOR CLIENT'S REVIEW	HvH	MdJ	PKo	MMe	
A	19-Okt-06	Gve	FOR INTERNAL REVIEW	HvH	MdJ	PKo		

Subject **GENERAL ARRANGEMENT**

Project **DESIGN PROPOSAL SMITBARGE X**

Client **SMIT TRANSPORT EUROPE BV**

**SMIT ENGINEERING**  
 P.O.Box 59052, 3008 PB Rotterdam  
 E-mail: engineering@smit.com  
 CAD-dwg not to be changed manually  
 Orig. Size A1

All information and data on this drawing are property of Smit Engineering. No part from that may be disclosed, copied, duplicated or in any other way made use of without written consent or used other than on terms agreed in writing.

Scale 1:125 Drawing No 06.12.087-D-001 Sheet 1 of 1